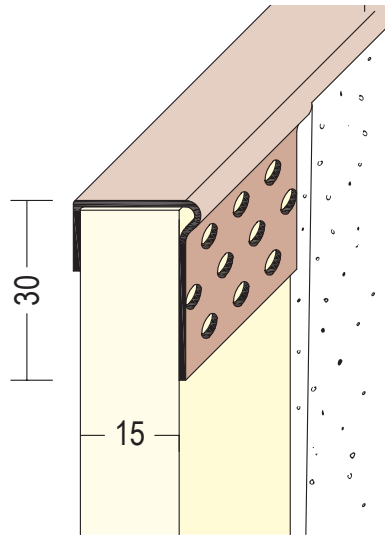


Product data sheet

Status: 20.06.2023 | 01:06

Item no. 37871



Designation	Stop profile for dry lining 15 mm PB, J-form
Description	"Göppinger" profile and PVC edging profile in one! The profiles must also be fastened with galvanised clips.
Product area	Internal construction
Product category	Filler profiles
Plaster thickness	2,0 mm
Material	Hard PVC
GK/Plate	15,0 mm
Product length	305,0 cm
Productcolor	10, white
Packaging Unit	50 STB / 80 KAR

This product data sheet corresponds to the current state of development of our products and loses its validity upon publication of a new edition. Make sure you are using the latest edition of this information. Warranty and liability are based on delivery according to our general. Terms and conditions. Please observe the application assembly and storage guidelines.

All statements without guarantee. Reserve technical changes. Product illustrations may differ from the delivery product. Tender specifications, installation instructions and performance declarations (if required by law) can be found on our homepage. Please respect the environment for a proper disposal!

PROTEKTORWERK
Florenz Maisch GmbH & Co. KG
Postfach 1420, D-76554 Gaggenau
Viktoriastr. 58, D-76571 Gaggenau

Tel. +49 7225 977-0
Fax +49 7225 9 77-111
info@protektor.com
www.protektor.com

